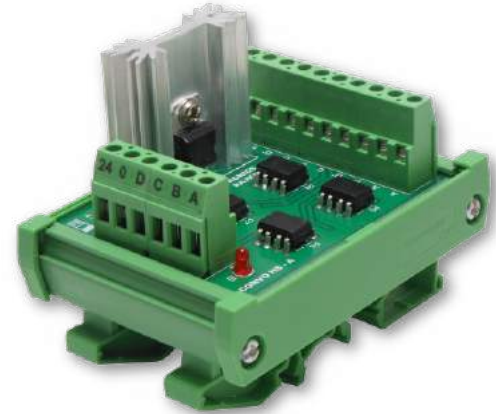


OPTO-ISOLATOR CARD

Industrial Interface Modules

Key Features

- 4 optically isolated channels
- On board DC to DC converter for 5V / 250mA
- Operating pulse rate – 1MHz
- Input – Line driver / Out – PNP or NPN
- Din rail mounting



Applications

- In 5V / Out 24V – Sensor / 5V Encoder / Linear scale interface with PLC
- In 24V / Out 5V – Interfacing with industrial computer – PCI port or RS232
- In 24V / Out 24V – Noise elimination in servo system

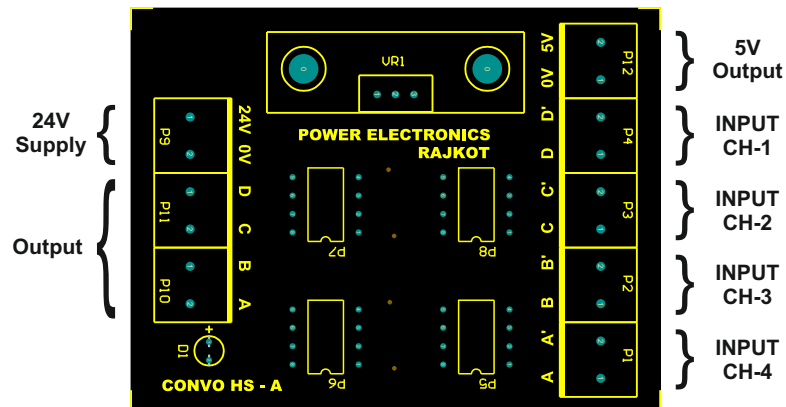


Figure - 1 Terminal overview

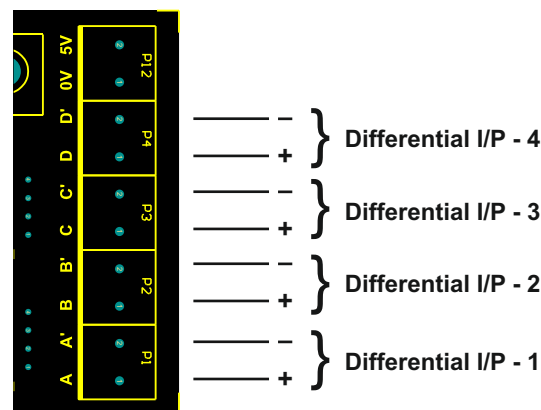


Figure - 2 Differential line driver I/P configuration

Input - Output wiring configuration

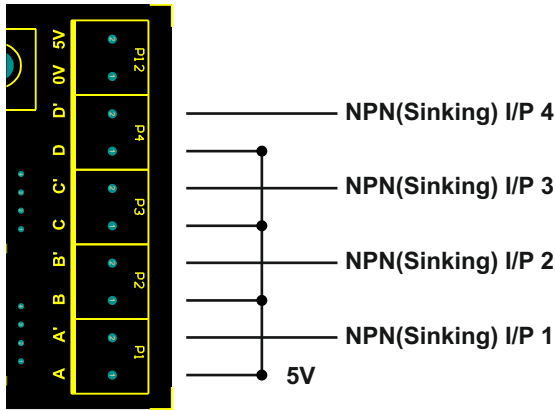


Figure - 3 NPN (Sinking) I/P configuration

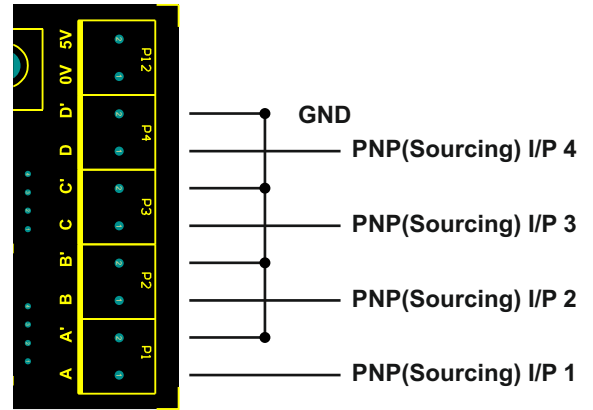


Figure - 4 PNP (Sourcing) I/P configuration

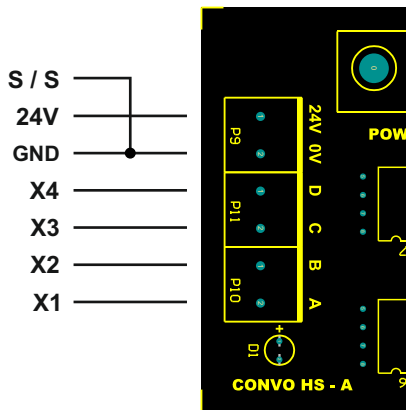


Figure - 5 NPN (Sinking) O/P configuration

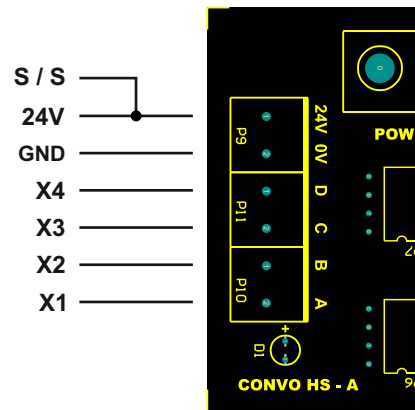


Figure - 6 PNP (Sourcing) O/P configuration