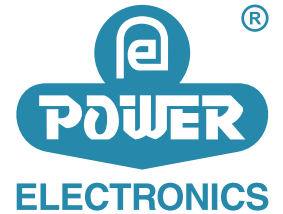


# PEPS100 Series, 100 Watts

## Industrial AC/DC Power Supply



### Key Features

- Universal input - 90VAC to 270VAC
- DC input supported 120VDC to 300VDC
- Output short circuit protection
- Overvoltage / Overcurrent Protections
- Input surge protection
- 125 °C output capacitors - Less derating
- Power back immunity
- > 3 KV input-output Isolation
- Heavy duty aluminum enclosure
- Optional Din mounting TS 35/7.5 or 15
- Conformal coated PCB for better resistance to environment



### Models

Part No.	Output Watts	Output Voltage	Output Current
PEPS100-24	100W	24V	4.2A
PEPS100-15		15V	8A
PEPS100-12		12V	10A

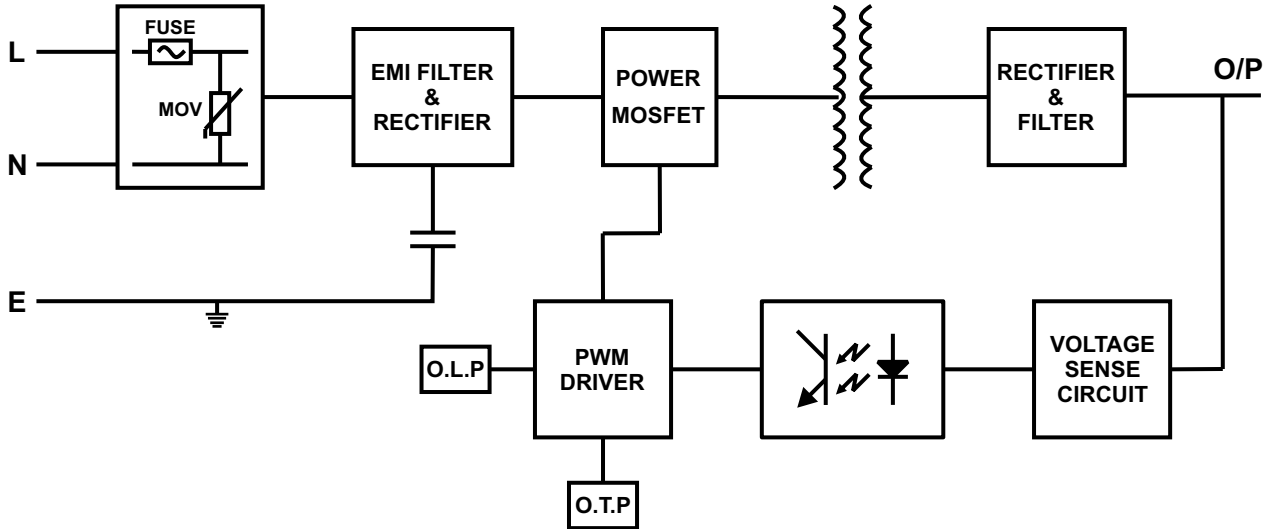
### Ordering information

PE	Mounting Type	No. of Output	Output Watt	Output Voltage
Standard initials	P - Panel mount	S - Single	15W	24V
	O - Open Frame	D - Dual	30W	15V
	V - Vertical Din Rail	T - Triple	50W	12V
			100W	10V
			150W	
			250W	

Technical Specification

MODEL		PEPS100-24	PEPS100-15	PEPS100-12
SPECIFICATION		24V-4.2A	15V-8A	12V-10A
INPUT	VOLTAGE RATING	90V - 270VAC		
	FREQUENCY	45Hz TO 55Hz		
	DC VOLTAGE RANGE	100V - 300VDC		
	AC CURRENT RANGE @ 110VAC	1.33A	1.5A	1.5A
	AC CURRENT RANGE @ 230VAC	0.685	0.75A	0.75A
	INRUSH CURRENT @ 110VAC	< 12A	<12A	<12A
	INRUSH CURRENT @ 230VAC	< 30A	<30A	<30A
	NO LOAD POWER (Typ.)	0.420W	0.435W	0.450W
	POWER FACTOR @ 110VAC	> 0.75	> 0.75	> 0.75
	POWER FACTOR @ 230VAC	> 0.67	> 0.67	> 0.67
	INTERNAL FUSE	2.5A	2.5A	2.5A
	EFFICIENCY (Typ.)	> 91%	> 88%	> 87%
OUTPUT	RATED CURRENT	4.2A	8A	10A
	ADJ. RANGE	22-26	13-16	Oct-14
	LINE REGULATION	< 1%	< 1%	< 1%
	LOAD REGULATION	< 1%	< 1%	< 1%
	RIPPLE (20MHz BANDWIDTH)	< 100mV	< 100mV	< 100mV
	START-UP TIME	30ms	30ms	30ms
	HOLD-UP TIME	8ms	4ms	6ms
ADDITIONAL INFO.	SHORT-CIRCUIT PROTECTION	YES		
	OVER-LOAD PROTECTION	YES		
	OVER TEMP. PROTECTION	YES		
	WITHSTAND VOLTAGE (IN – OUT)	> 3KV for 1 min		
	SERIES OPERATION	Yes		
	WORKING TEMPERATURE	-25°C to 75°C		
	COOLING METHOD	AIR		
	DIMENSIONS	130mm x 88mm x 52mm	130mm x 88mm x 52mm	130mm x 88mm x 52mm
	WEIGHT	450gms	450gms	450gms

### Block Diagram



### Other Products

<b>TRANSFORMER</b>	<ul style="list-style-type: none"> <li>• Control transformer 10VA to 10KVA</li> <li>• 3 - Phase isolation Transformer 100VA to 15KVA</li> <li>• Line Reactor</li> <li>• Auto Transformer</li> <li>• Stepper Motor power supply</li> </ul>
<b>INTERFACE MODULES</b>	<ul style="list-style-type: none"> <li>• Opto-Isolator card</li> <li>• Special Purpose opto-isolator card</li> <li>• Encoder Data selector</li> <li>• Vibrator Controller</li> </ul>
<b>SMPS</b>	<ul style="list-style-type: none"> <li>• Industrial SMPS - 12V, 24V, 48V range</li> <li>• Customized power supply</li> <li>• High Voltage SMPS for solar application</li> </ul>