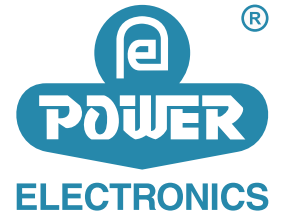


PEPS150 Series, 150 Watts

Industrial AC/DC Power Supply



Key Features

- Universal input - 90VAC to 270VAC
- DC input supported 120VDC to 300VDC
- Output short circuit protection
- Overvoltage / Overcurrent Protections
- Input surge protection
- 125 °C output capacitors - Less derating
- Power back immunity
- > 3 KV input-output Isolation
- Heavy duty aluminum enclosure
- Optional Din mounting TS 35/7.5 or 15
- Conformal coated PCB for better resistance to environment



Models

Part No.	Output Watts	Output Voltage	Output Current
PEPS150-24	150W	24V	6.25A
PEPS150-12		12V	12.5A

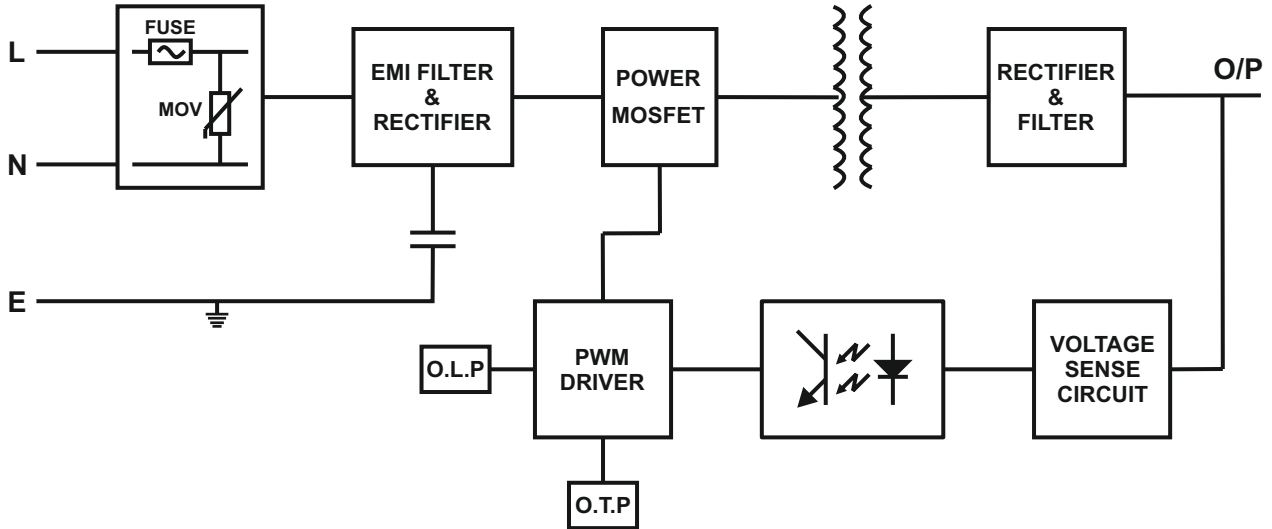
Ordering information

PE	Mounting Type	No. of Output	Output Watt	Output Voltage
Standard initials	P - Panel mount	S - Single	15W	24V
	O - Open Frame	D - Dual	30W	15V
	V - Vertical Din Rail	T - Triple	50W	12V
			100W	10V
			150W	
			250W	

Technical Specification

MODEL		PEPS150-24	PEPS150-12
SPECIFICATION		24V-6.25A	12V-12.5A
INPUT	VOLTAGE RATING	90V - 270VAC	
	FREQUENCY	45Hz TO 55Hz	
	DC VOLTAGE RANGE	100V - 300VDC	
	AC CURRENT RANGE @ 110VAC	2.1A	2.6A
	AC CURRENT RANGE @ 230VAC	1.01A	1.2A
	INRUSH CURRENT @ 110VAC	< 12A	< 12A
	INRUSH CURRENT @ 230VAC	< 30A	< 30A
	NO LOAD POWER (Typ.)	0.380W	0.400W
	POWER FACTOR @ 110VAC	> 0.76	> 0.76
	POWER FACTOR @ 230VAC	> 0.67	> 0.67
	INTERNAL FUSE	3A	3A
	EFFICIENCY (Typ.)	>88%	>86%
OUTPUT	RATED CURRENT	6.25A	12.5A
	ADJ. RANGE	22-26	14-16
	LINE REGULATION	< 1%	< 1%
	LOAD REGULATION	< 1%	< 1%
	RIPPLE (20MHz BANDWIDTH)	< 100mS	< 100mS
	START-UP TIME	6ms	6ms
	HOLD-UP TIME	12ms	8ms
ADDITIONAL INFO.	SHORT-CIRCUIT PROTECTION	YES	
	OVER-LOAD PROTECTION	YES	
	OVER TEMP. PROTECTION	YES	
	WITHSTAND VOLTAGE (IN – OUT)	> 3KV for 1 min	
	SERIES OPERATION	Yes	
	WORKING TEMPERATURE	-25°C to 75°C	
	COOLING METHOD	AIR	
	DIMENSIONS	130mm x 88mm x 52mm	130mm x 88mm x 52mm
	WEIGHT	460gms	460gms

Block Diagram



Other Products

TRANSFORMER	<ul style="list-style-type: none"> • Control transformer 10VA to 10KVA • 3 - Phase isolation Transformer 100VA to 15KVA • Line Reactor • Auto Transformer • Stepper Motor power supply
INTERFACE MODULES	<ul style="list-style-type: none"> • Opto-Isolator card • Special Purpose opto-isolator card • Encoder Data selector • Vibrator Controller
SMPS	<ul style="list-style-type: none"> • Industrial SMPS - 12V, 24V, 48V range • Customized power supply • High Voltage SMPS for solar application