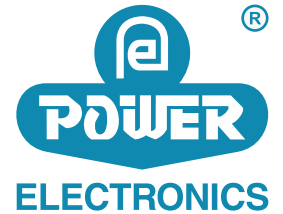


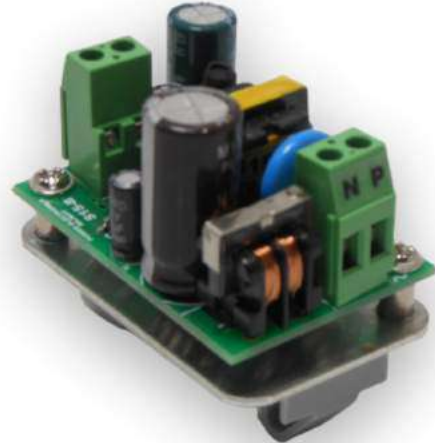
PEPS15 Series, 15 Watts

Industrial AC/DC Power Supply



Key Features

- Universal input - 90VAC to 270VAC
- DC input supported 120VDC to 300VDC
- Output short circuit protection
- Overvoltage / Overcurrent Protections
- Input surge protection
- 125 °C output capacitors - Less derating
- Power back immunity
- > 3 KV input-output Isolation
- Heavy duty aluminum enclosure
- Optional Din mounting TS 35/7.5 or 15
- Conformal coated PCB for better resistance to environment



Models

Part No.	Output Watts	Output Voltage	Output Current
PEOS15-24	15W	24V	0.6A
PEOS15-15		15V	1A
PEOS15-12		12V	1.2A
PEOS15-10		10V	1.5A

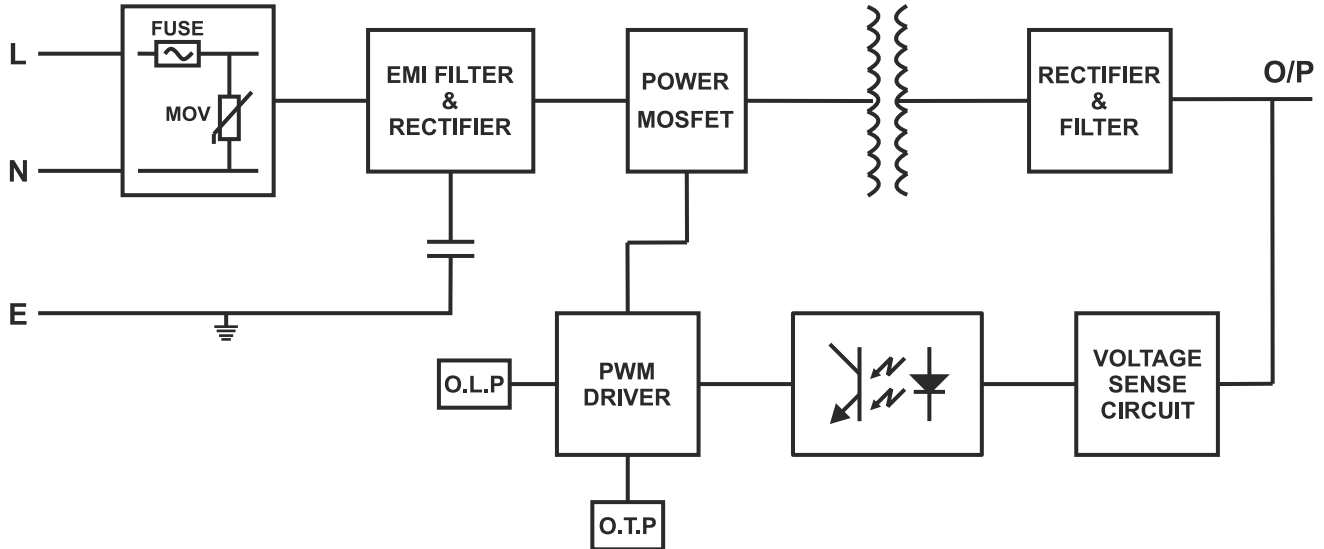
Ordering information

PE	Mounting Type	No. of Output	Output Watt	Output Voltage
Standard initials	P - Panel mount	S - Single	15W	24V
	O - Open Frame	D - Dual	30W	15V
	V - Vertical Din Rail	T - Triple	50W	12V
			100W	10V
			150W	
			250W	

Technical Specification

MODEL		PEOS15-24	PEOS15-15	PEOS15-12	PEOS15-10	PEOS15-05
SPECIFICATION		24V-0.6A	15V-1A	12V-1.2A	10V-1.5A	5V-2A
INPUT	VOLTAGE RATING	90V - 270VAC				
	FREQUENCY	45Hz TO 55Hz				
	DC VOLTAGE RANGE	100V - 300VDC				
	AC CURRENT RANGE @ 110VAC	0.2A	0.225A	0.228A	0.22A	0.2A
	AC CURRENT RANGE @ 230VAC	0.11A	0.1A	0.11A	0.11A	0.1A
	INRUSH CURRENT @ 110VAC	< 3A	< 3A	< 3A	< 3A	< 3A
	INRUSH CURRENT @ 230VAC	< 20A	<20A	< 20A	< 20A	< 7A
	NO LOAD POWER (Typ.)	<100mW	<100mW	<100mW	<100mW	<100mW
	POWER FACTOR @ 110VAC	> 0.65	> 0.66	> 0.67	> 0.68	> 0.69
	POWER FACTOR @ 230VAC	> 0.57	> 0.56	> 0.56	> 0.54	> 0.54
	INTERNAL FUSE	2A SLOW ACTING				
	EFFICIENCY (Typ.)	80%		80%	75.00%	72.00%
OUTPUT	RATED CURRENT	0.6A	1A	1.25A	1.5A	2A
	ADJ. RANGE	-	-	-	-	-
	LINE REGULATION	< 1%	< 1%	< 1%	< 1%	< 1%
	LOAD REGULATION	< 1%	< 1%	< 1%	< 1%	< 1%
	RIPPLE (20MHz BANDWIDTH)	< 50mVpp	< 100mVpp	< 100mVpp	< 100mVpp	< 100mVpp
	START-UP TIME	20ms	20ms	20ms	20ms	18ms
	HOLD-UP TIME	60ms	100ms	100ms	100ms	100ms
ADDITIONAL INFO.	SHORT-CIRCUIT PROTECTION	YES				
	OVER-LOAD PROTECTION	YES				
	OVER TEMP. PROTECTION	YES				
	WITHSTAND VOLTAGE (IN – OUT)	> 3KV for 1 min				
	SERIES OPERATION	Yes				
	WORKING TEMPERATURE	-25°C to 75°C				
	COOLING METHOD	AIR				

Block Diagram



Other Products

TRANSFORMER	<ul style="list-style-type: none"> • Control transformer 10VA to 10KVA • 3 - Phase isolation Transformer 100VA to 15KVA • Line Reactor • Auto Transformer • Stepper Motor power supply
INTERFACE MODULES	<ul style="list-style-type: none"> • Opto-Isolator card • Special Purpose opto-isolator card • Encoder Data selector • Vibrator Controller
SMPS	<ul style="list-style-type: none"> • Industrial SMPS - 12V, 24V, 48V range • Customized power supply • High Voltage SMPS for solar application