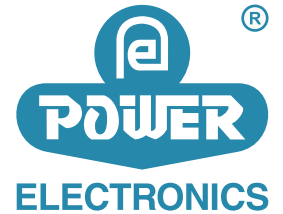


# PEPS30 Series, 30 Watts

## Industrial AC/DC Power Supply



### Key Features

- Universal input - 90VAC to 270VAC
- DC input supported 120VDC to 300VDC
- Output short circuit protection
- Overvoltage / Overcurrent Protections
- Input surge protection
- 125 °C output capacitors - Less derating
- Power back immunity
- > 3 KV input-output Isolation
- Heavy duty aluminum enclosure
- Optional Din mounting TS 35/7.5 or 15
- Conformal coated PCB for better resistance to environment



### Models

Part No.	Output Watts	Output Voltage	Output Current
PEPS30-24	30W	24V	1.25A
PEPS30-15		15V	2A
PEPS30-12		12V	2.5A
PEPS30-10		10V	3A

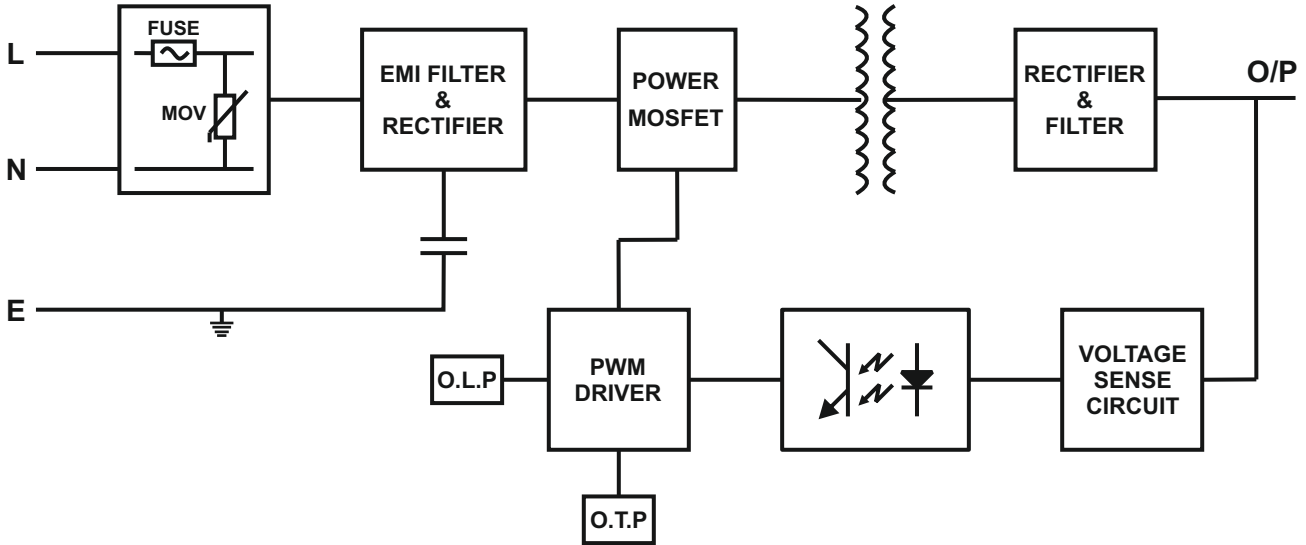
### Ordering information

PE	Mounting Type	No. of Output	Output Watt	Output Voltage
Standard initials	P - Panel mount	S - Single	15W	24V
	O - Open Frame	D - Dual	30W	15V
	V - Vertical Din Rail	T - Triple	50W	12V
			100W	10V
			150W	
			250W	

## Technical Specification

MODEL	PEPS30-24	PEPS30-15	PEPS30-12	PEPS30-10	
SPECIFICATION	24V-1.25A	15V-2A	12V-2.5A	10V-3A	
INPUT	VOLTAGE RATING	90V - 270VAC			
	FREQUENCY	45Hz TO 55Hz			
	DC VOLTAGE RANGE	100V - 300VDC			
	AC CURRENT RANGE @ 110VAC	0.440A	0.450A	0.450A	0.450A
	AC CURRENT RANGE @ 230VAC	0.230A	0.230A	0.230A	0.230A
	INRUSH CURRENT @ 110VAC	< 12A	< 12A	< 12A	< 12A
	INRUSH CURRENT @ 230VAC	< 30A	< 30A	< 30A	< 30A
	NO LOAD POWER (Typ.)	0.380W	0.340W	0.340W	0.340W
	POWER FACTOR @ 110VAC	> 0.73	> 0.73	> 0.73	> 0.73
	POWER FACTOR @ 230VAC	> 0.64	> 0.65	> 0.65	> 0.65
	INTERNAL FUSE	2A SLOW ACTING			
EFFICIENCY (Typ.)	> 89%	> 86%	> 86%	> 86%	
OUTPUT	RATED CURRENT	1.25A	2.5A	2.5A	2.5A
	ADJ. RANGE	-	-	-	-
	LINE REGULATION	< 1%	< 1%	< 1%	< 1%
	LOAD REGULATION	< 1%	< 1%	< 1%	< 1%
	RIPPLE (20MHz BANDWIDTH)	< 100mV	< 100mV	< 100mV	< 100mV
	START-UP TIME	6mS	6ms	6ms	6ms
	HOLD-UP TIME	8ms	8ms	8ms	8ms
ADDITIONAL INFO.	SHORT-CIRCUIT PROTECTION	YES			
	OVER-LOAD PROTECTION	YES			
	OVER TEMP. PROTECTION	YES			
	WITHSTAND VOLTAGE (IN – OUT)	> 3KV for 1 min			
	SERIES OPERATION	Yes			
	WORKING TEMPERATURE	-25°C to 75°C			
	COOLING METHOD	AIR			
	DIMENSIONS (L x W x H)	94mm x 60mm x 52mm	94mm x 60mm x 52mm	94mm x 60mm x 52mm	94mm x 60mm x 52mm
	WEIGHT	244gms	244gms	244gms	244gms

### Block Diagram



### Other Products

<b>TRANSFORMER</b>	<ul style="list-style-type: none"> <li>• Control transformer 10VA to 10KVA</li> <li>• 3 - Phase isolation Transformer 100VA to 15KVA</li> <li>• Line Reactor</li> <li>• Auto Transformer</li> <li>• Stepper Motor power supply</li> </ul>
<b>INTERFACE MODULES</b>	<ul style="list-style-type: none"> <li>• Opto-Isolator card</li> <li>• Special Purpose opto-isolator card</li> <li>• Encoder Data selector</li> <li>• Vibrator Controller</li> </ul>
<b>SMPS</b>	<ul style="list-style-type: none"> <li>• Industrial SMPS - 12V, 24V, 48V range</li> <li>• Customized power supply</li> <li>• High Voltage SMPS for solar application</li> </ul>