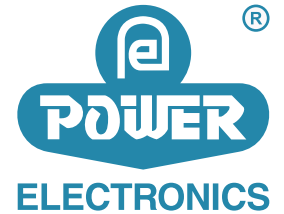


PEPS50 Series, 50 Watts

Industrial AC/DC Power Supply



Key Features

- Universal input - 90VAC to 270VAC
- DC input supported 120VDC to 400VDC
- Output short circuit protection
- Overvoltage / Overcurrent Protections
- Input surge protection
- 125 °C output capacitors - Less derating
- Power back immunity
- > 2.5 KV input-output Isolation
- Heavy duty aluminum enclosure
- Optional Din mounting TS 35/7.5 or 15
- Conformal coated PCB for better resistance to environment



Models

Part No.	Output Watts	Output Voltage	Output Current
PEPS50 – 24	50W	24V	2.1A
PEPS50 – 15		15V	3.3A
PEPS50 – 12		12V	4.2A
PEPS50 – 10		10V	5A

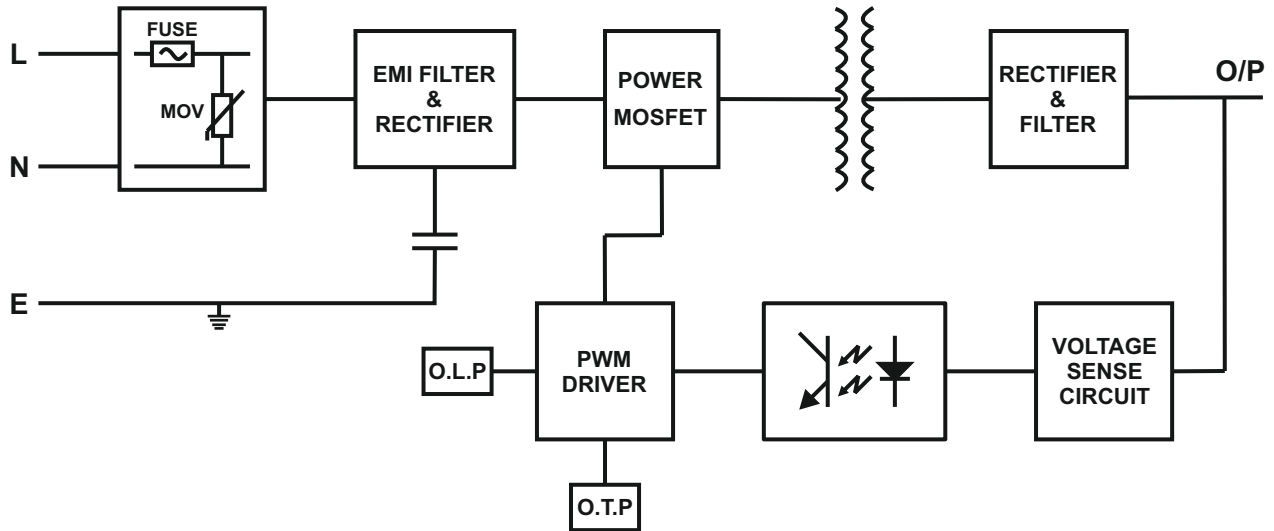
Ordering information

PE	Mounting Type	No. of Output	Output Watt	Output Voltage
Standard initials	P - Panel mount	S - Single	15W	24V
	O - Open Frame	D - Dual	30W	15V
	V - Vertical Din Rail	T - Triple	50W	12V
			100W	10V
			150W	
			250W	

Technical Specification

MODEL		PEPS50-24	PEPS50-15	PEPS50-12	PEPS50-10
SPECIFICATION		24V – 2.1A	15V – 3.3A	12V – 4.2A	10V – 5A
INPUT	VOLTAGE RATING	90V - 270VAC			
	FREQUENCY	45Hz to 55 Hz			
	DC VOLTAGE RANGE	100 - 400VDC			
	AC CURRENT @ 110VAC (Typ.)	740mA	750mA	780mA	800mA
	AC CURRENT @ 230VAC (Typ.)	370mA	380mA	380mA	390mA
	INRUSH CURRENT @ 110VAC	< 12A	< 12A	< 12A	< 12A
	INRUSH CURRENT @ 230VAC	< 30A	< 30A	< 30A	< 30A
	NO LOAD POWER (Typ.)	360mW	265mW	223mW	123mW
	POWER FACTOR @ 110VAC	> 0.70	> 0.69	> 0.69	> 0.69
	POWER FACTOR @ 230VAC	> 0.63	> 0.63	> 0.65	> 0.62
	INTERNAL FUSE	2A Slow acting			
EFFICIENCY (Typ.)	> 89%	> 87%	> 86%	> 86%	
OUTPUT	RATED CURRENT	2A	3.3A	4.2A	5A
	ADJ. RANGE	22V–26VDC	13V-16V	11V-14V	9V-12V
	LINE REGULATION	< 1%	< 1%	< 1%	< 1%
	LOAD REGULATION	< 1%	< 1%	< 1%	< 1%
	RIPPLE (20MHz BANDWIDTH)	< 100mV	< 150mV	< 150mV	< 150mV
	START-UP TIME	60ms	9ms	10ms	7ms
	HOLD-UP TIME	12ms	20ms	12ms	10ms
ADDITIONAL INFO.	SHORT-CIRCUIT PROTECTION	Yes, Auto restart on recovery			
	OVER-LOAD PROTECTION	Yes, Auto restart on recovery			
	OVER TEMP. PROTECTION	Yes, Shut-down			
	WITHSTAND VOLTAGE (IN – OUT)	>3KV for 1min. (Input to Output terminal)			
	SERIES OPERATION	Yes			
	WORKING TEMPERATURE	-40°C to 70°C			
	COOLING METHOD	Air cool			
	DIMENSIONS (L x B x H)	113mm X 70mm X 52mm			
	WEIGHT	325gms			

Block Diagram



Other Products

TRANSFORMER	<ul style="list-style-type: none"> • Control transformer 10VA to 10KVA • 3 - Phase isolation Transformer 100VA to 15KVA • Line Reactor • Auto Transformer • Stepper Motor power supply
INTERFACE MODULES	<ul style="list-style-type: none"> • Opto-Isolator card • Special Purpose opto-isolator card • Encoder Data selector • Vibrator Controller
SMPS	<ul style="list-style-type: none"> • Industrial SMPS - 12V, 24V, 48V range • Customized power supply • High Voltage SMPS for solar application