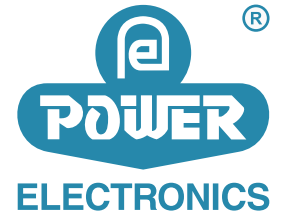


PEPD60 Series, 60 Watts

Industrial AC/DC Power Supply



Key Features

- Universal input - 90VAC to 270VAC
- DC input supported 120VDC to 300VDC
- Output short circuit protection
- Overvoltage / Overcurrent Protections
- Input surge protection
- 125 °C output capacitors - Less derating
- Power back immunity
- > 3 KV input-output Isolation
- Heavy duty aluminum enclosure
- Optional Din mounting TS 35/7.5 or 15
- Conformal coated PCB for better resistance to environment



Models

Part No.	Output Watts	Output Voltage	Output Current
PEPD60-12-5	60W	12V & 5V	4A & 2A
PEPD60-24-5	60W	24V & 5V	2A & 2A

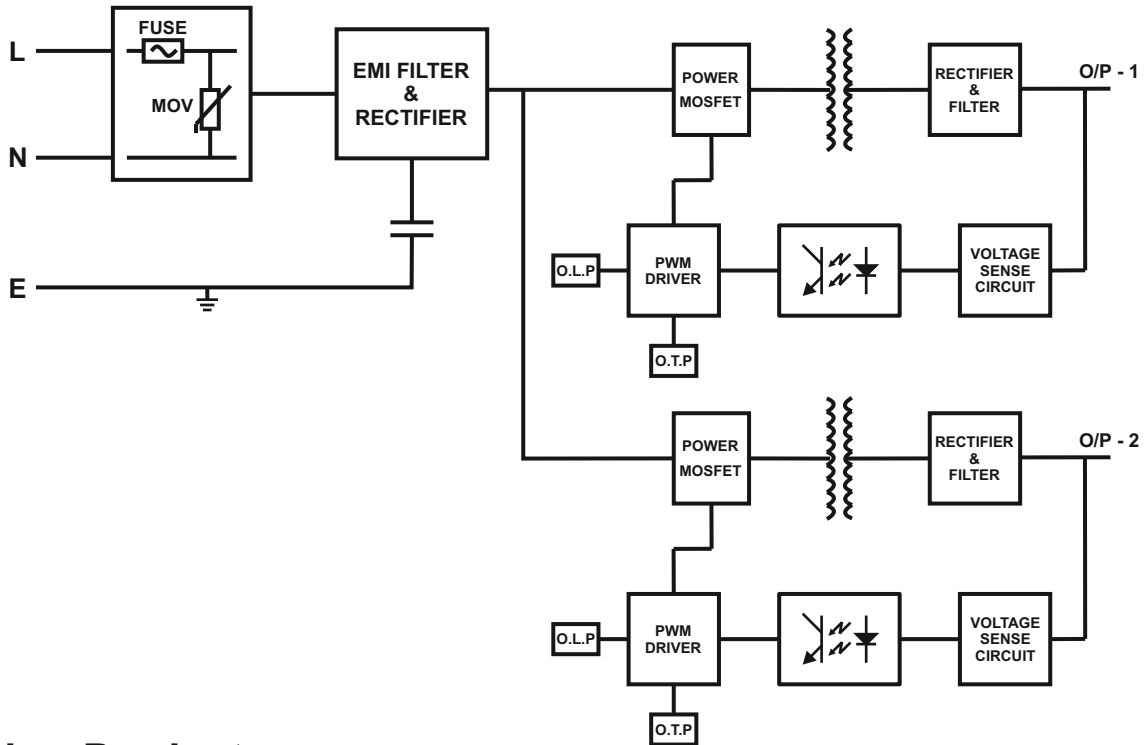
Ordering information

PE	Mounting Type	No. of Output	Output Watt	Output Voltage
Standard initials	P - Panel mount O - Open Frame V - Vertical Din Rail	S - Single D - Dual T - Triple	15W	24V
			30W	15V
			50W	12V
			100W	10V
			150W	
			250W	

Technical Specification

MODEL		PEPD60-12-5	PEPD60-24-5
SPECIFICATION		12V-4A / 5V-2A	24V-2A / 5V-2A
INPUT	VOLTAGE RATING	90V - 270VAC	90V - 270VAC
	FREQUENCY	45Hz TO 55Hz	45Hz TO 55Hz
	DC VOLTAGE RANGE	100V - 300VDC	100V - 300VDC
	AC CURRENT RANGE @ 110VAC	0.783A	0.783A
	AC CURRENT RANGE @ 230VAC	0.380A	0.380A
	INRUSH CURRENT @ 110VAC	< 12A	< 12A
	INRUSH CURRENT @ 230VAC	< 30A	< 30A
	NO LOAD POWER (Typ.)	0.223W	0.223W
	POWER FACTOR @ 110VAC	> 0.69	> 0.69
	POWER FACTOR @ 230VAC	> 0.65	> 0.65
	INTERNAL FUSE	2A SLOW ACTING	2A SLOW ACTING
	EFFICIENCY (Typ.)	> 85%	> 85%
OUTPUT	RATED VOLTAGE / CURRENT - O/P 1	12V / 4A	24V / 2A
	RATED VOLTAGE / CURRENT - O/P 2	5V / 2A	5V / 2A
	ADJ. RANGE	11V-14V (O/P 1 ONLY)	22V-26V (O/P 1 ONLY)
	LINE REGULATION	< 1%	< 1%
	LOAD REGULATION	< 1%	< 1%
	RIPPLE (20MHz BANDWIDTH)	< 150mV	< 150mV
	START-UP TIME	10ms	10ms
	HOLD-UP TIME	12ms	12ms
ADDITIONAL INFO.	SHORT-CIRCUIT PROTECTION	YES (Individual O/P)	
	OVER-LOAD PROTECTION	YES (Individual O/P)	
	OVER TEMP. PROTECTION	YES (Individual O/P)	
	WITHSTAND VOLTAGE (IN – OUT)	> 3KV for 1 min	
	WITHSTAND VOLTAGE (O/P 1 – O/P 2)	> 2.5KV for 1 min	
	WORKING TEMPERATURE	-25°C to 75°C	
	COOLING METHOD	AIR	
	DIMENSIONS	119mm x 87mm x 52mm	119mm x 87mm x 52mm
WEIGHT	415gms	415gms	

Block Diagram



Other Products

TRANSFORMER	<ul style="list-style-type: none"> • Control transformer 10VA to 10KVA • 3 - Phase isolation Transformer 100VA to 15KVA • Line Reactor • Auto Transformer • Stepper Motor power supply
INTERFACE MODULES	<ul style="list-style-type: none"> • Opto-Isolator card • Special Purpose opto-isolator card • Encoder Data selector • Vibrator Controller
SMPS	<ul style="list-style-type: none"> • Industrial SMPS - 12V, 24V, 48V range • Customized power supply • High Voltage SMPS for solar application