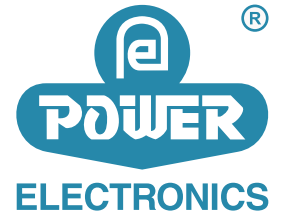


PEPT70 Series, 70 Watts

Industrial AC/DC Power Supply



Key Features

- Universal input - 90VAC to 270VAC
- DC input supported 120VDC to 300VDC
- Output short circuit protection
- Overvoltage / Overcurrent Protections
- Input surge protection
- 125 °C output capacitors - Less derating
- Power back immunity
- > 3 KV input-output Isolation
- Heavy duty aluminum enclosure
- Optional Din mounting TS 35/7.5 or 15
- Conformal coated PCB for better resistance to environment



Models

Part No.	Output Watts	Output Voltage	Output Current
PEPT70-12-(-12)-5	70W	12V,-12 & 5V	2A, 2A, 2A
PEPT70-15-(-15)-5	70W	15V,-15 & 5V	2A, 2A, 2A
PEPT70-12-(-12)-24	70W	12V,-12 & 24V	2A, 2A, 0.6A
PEPT70-15-(-15)-24	70W	15V,-15 & 24V	2A, 2A, 0.6A

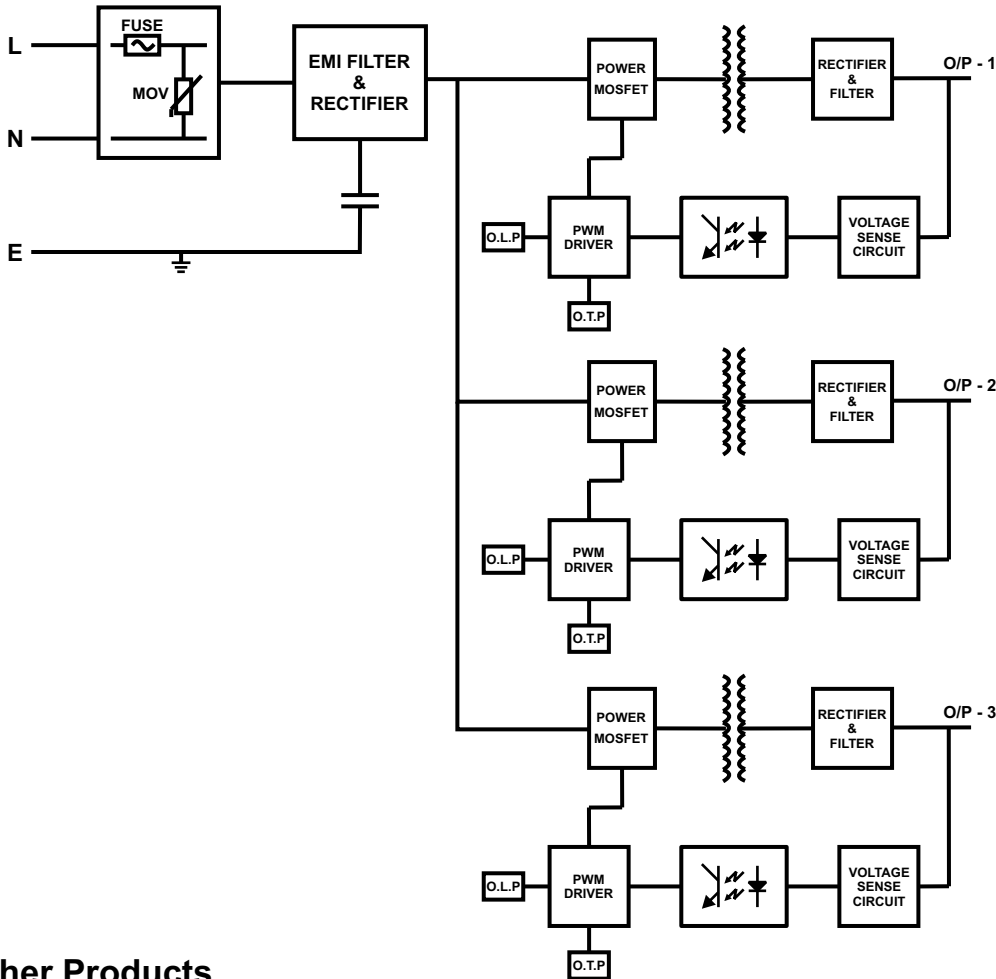
Ordering information

PE	Mounting Type	No. of Output	Output Watt	Output Voltage
Standard initials	P - Panel mount	S - Single	15W	24V
	O - Open Frame	D - Dual	30W	15V
	V - Vertical Din Rail	T - Triple	50W	12V
			100W	10V
			150W	
			250W	

Technical Specification

MODEL		PEPT70-12-(-12)-5	PEPT70-15-(-15)-5	PEPT70-12-(-12)-24	PEPT70-15-(-15)-24
SPECIFICATION		12V-2A / (-12V)-2A / 5V-2A	15V-2A / (-15V)-2A / 5V-2A	12V-2A / (-12V)-2A / 24V-0.6A	15V-2A / (-15V)-2A / 24V-0.6A
INPUT	VOLTAGE RATING	90V - 270VAC	90V - 270VAC	90V - 270VAC	90V - 270VAC
	FREQUENCY	45Hz TO 55Hz	45Hz TO 55Hz	45Hz TO 55Hz	45Hz TO 55Hz
	DC VOLTAGE RANGE	100V - 300VDC	100V - 300VDC	100V - 300VDC	100V - 300VDC
	AC CURRENT RANGE @ 110VAC	0.783A	0.783A	0.783A	0.783A
	AC CURRENT RANGE @ 230VAC	0.380A	0.380A	0.380A	0.380A
	INRUSH CURRENT @ 110VAC	< 12A	< 12A	< 12A	< 12A
	INRUSH CURRENT @ 230VAC	< 30A	< 30A	< 30A	< 30A
	NO LOAD POWER (Typ.)	0.223W	0.223W	0.223W	0.223W
	POWER FACTOR @ 110VAC	> 0.69	> 0.69	> 0.69	> 0.69
	POWER FACTOR @ 230VAC	> 0.65	> 0.65	> 0.65	> 0.65
	INTERNAL FUSE	2A SLOW ACTING	2A SLOW ACTING	2A SLOW ACTING	2A SLOW ACTING
EFFICIENCY (Typ.)	> 85%	> 85%	> 85%	> 85%	
OUTPUT	RATED VOLTAGE / CURRENT - O/P 1	12V / 2A	15V / 2A	12V / 2A	15V / 2A
	RATED VOLTAGE / CURRENT - O/P 2	-12V / 2A	-15V / 2A	-12V / 2A	-15V / 2A
	RATED VOLTAGE / CURRENT - O/P 3	5V / 2A	5V / 2A	24V / 0.6A	24V / 0.6A
	ADJ. RANGE	-	-	-	-
	LINE REGULATION	< 1%	< 1%	< 1%	< 1%
	LOAD REGULATION	< 1%	< 1%	< 1%	< 1%
	RIPPLE (20MHz BANDWIDTH)	< 120mV	< 120mV	< 120mV	< 120mV
	START-UP TIME	10ms	10ms	10ms	10ms
HOLD-UP TIME	6ms	6ms	6ms	6ms	
ADDITIONAL INFO.	SHORT-CIRCUIT PROTECTION	YES (Individual O/P)			
	OVER-LOAD PROTECTION	YES (Individual O/P)			
	OVER TEMP. PROTECTION	YES (Individual O/P)			
	WITHSTAND VOLTAGE (IN – OUT)	> 3KV for 1 min			
	WITHSTAND VOLTAGE (O/P 1 – O/P 3)	> 2.5KV for 1 min			
	WORKING TEMPERATURE	-25°C to 75°C	-25°C to 75°C	-25°C to 75°C	-25°C to 75°C
	COOLING METHOD	AIR	AIR	AIR	AIR
	DIMENSIONS	130mm x 88mm x 52mm	130mm x 88mm x 52mm	130mm x 88mm x 52mm	130mm x 88mm x 52mm
	WEIGHT	460gms	460gms	460gms	460gms

Block Diagram



Other Products

TRANSFORMER	<ul style="list-style-type: none"> • Control transformer 10VA to 10KVA • 3 - Phase isolation Transformer 100VA to 15KVA • Line Reactor • Auto Transformer • Stepper Motor power supply
INTERFACE MODULES	<ul style="list-style-type: none"> • Opto-Isolator card • Special Purpose opto-isolator card • Encoder Data selector • Vibrator Controller
SMPS	<ul style="list-style-type: none"> • Industrial SMPS - 12V, 24V, 48V range • Customized power supply • High Voltage SMPS for solar application